

## Description

UIY9 precise digital pressure gauge is an intelligent digital gauge with high measuring accuracy and good long term stability. This product has 4~20mA output and RS485 communication function simultaneously. It can communicate with computer directly by coordinating communication software to carry on data preservation, processing and output report; Its signal's entire isolated design make it without any disturbance. Its power supply is built-in lithium battery with service life 4~6 years, even the outer power is off, it can also gather the pressure data stably (communication function failed).

UIY9 has axial, radial direction and plate attire structure optional. This product is suitable for pressure calibration of pressure (differential pressure) transmitters, vernier pressure gauge, ordinary pressure gauge, sphygmomanometer etc.



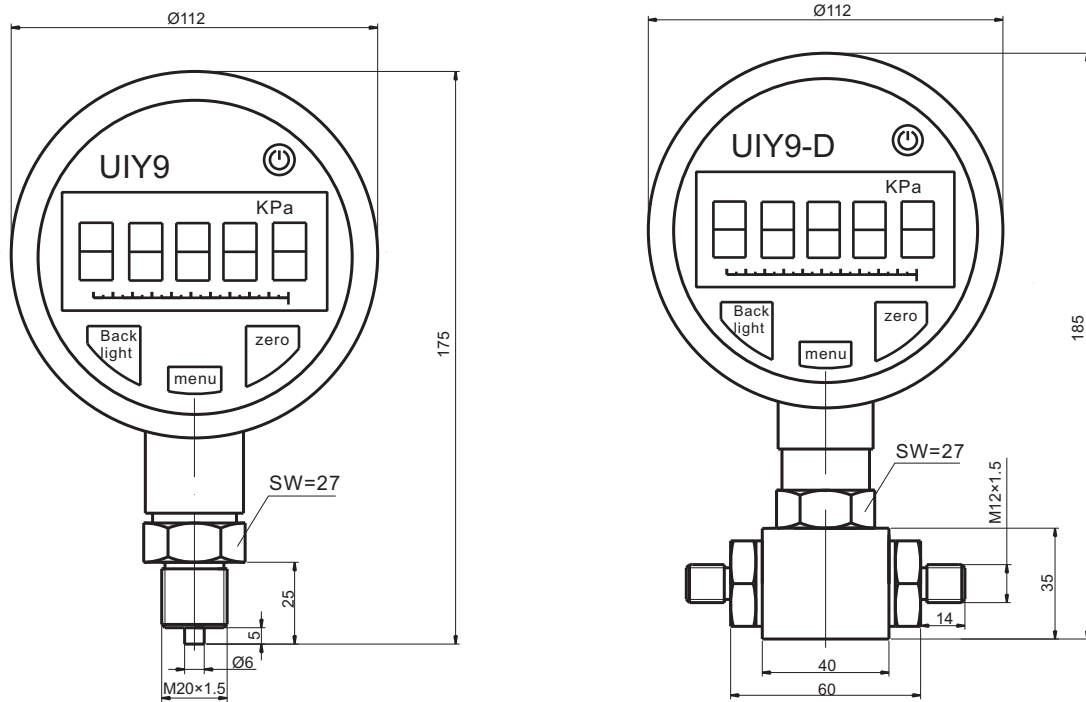
## Features

- 0.05%FS accuracy, satisfying high accuracy pressure gathering demand.
- RS485 communication, or 4~20mA current output optional.
- Anti-electromagnetism and anti-radio-frequency interference technology.
- Signal entire isolation technology, against thunder stroke technology.
- Super power source management technique, battery life for 4~6 years.

## Specifications

pressure medium	gas or liquid compatible to stainless steel
pressure ranges	-1...0bar~0.01...2600bar
pressure type	gauge(G), absolute(A), sealed gauge(S), differential(D)
overload pressure	150%FS~300%FS(determined by range)
output signal	4~20mA(option)
communication	Rs485, Rs232, USB, MODBUS, USART
accuracy	0.05%FS, 0.1%FS, 0.2%FS, 0.5%FS
load resistance	$RL=(U-12V)/0.02A$ (4~20mA current output) U—loop voltage (V)
long-term stability	<0.1%FS/year
supply voltage	Lithium battery and 10~30VDC supply(for communication and 4~20mA output)
compensated temperature range	-10~+70°C
operating temperature range	-40~+100°C
display	dynamic 5-digit LCD display
process connection	G1/2 (male)or others
explosive-proof	ExialIBT4

## Dimensions



## Ordering code

UIY9		range	measuring range: -1...0~0.01bar...2600bar		
		(X1~X2)bar	X1: lower limit of actual measuring range, X2: higher limit of factual measuring range		
		code	pressure type		
		G	gauge		
		A	absolute		
		S	sealed gauge		
		D	differential		
		code	accuracy		
		A	0.05%FS		
		B	0.1%FS		
		C	0.25%FS		
		D	0.5%FS		
		code	output and communication(option)		
		O	4~20mA		
		R	MODBUS protocol (RS485 interface)		
		W	only display, without output		
		code	process connector		
		P1	G1/4"		
		P2	G1/2"		
		P4	M20×1.5		
		P5	1/2"NPT		
		Pz	customer request		
UIY9	(0~20)bar	G	A	W	P2