

## Description

UPB9 industrial pressure transmitter adopts high performance and high stability UPX19(OEM) pressure sensor as measuring element. The sensor signal is converted into standard 4-20mA signal output by special signal processing IC. After long-term aging and stability testing, the product performance is stable and reliable. UPB9 can realize pressure display, zero adjustment and range ability on site.

UPB9 pressure transmitter installation interface connection (process connection), can not only be made according to the requirements of users, but also be provided compatible with other brands of transmitters. This series of products are widely used in industrial process control, petroleum, chemical, metallurgy and other industries for pressure measurement and control.

## Features

- 4digit LED display or 5-digit LCD display
- High performance-to-price ratio, high accuracy, long-term stability
- Electric shell is cast-aluminium material , IP65 protection
- Reversed protection, current limiting protection
- Anti-corrosive, the anti-attribution, the anti-impact
- Flush membrane and the tantalum diaphragm option



## Specifications

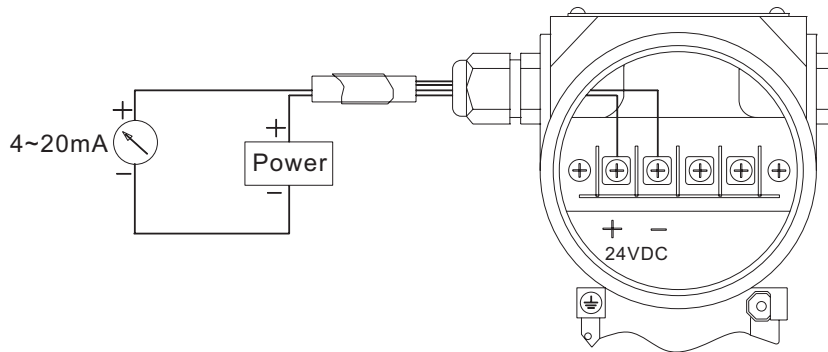
pressure medium	gas or liquid compatible to stainless steel
pressure ranges	-1...0bar~0.1...1000bar
pressure type	gauge(G), absolute(A), sealed gauge(S),differential(D)
overload pressure	150%FS
output signal	4~20mA, 0~5V, 0~10V, 1~5V
accuracy	0.1%FS,0.25%FS(standard), 0.5%FS
load resistance	$RL=(U-12V)/0.02A$ (4~20mA current output) U—loop voltage (V)
long-term stability	<0.2%FS/year



# UPB9 Industrial Pressure Transmitter

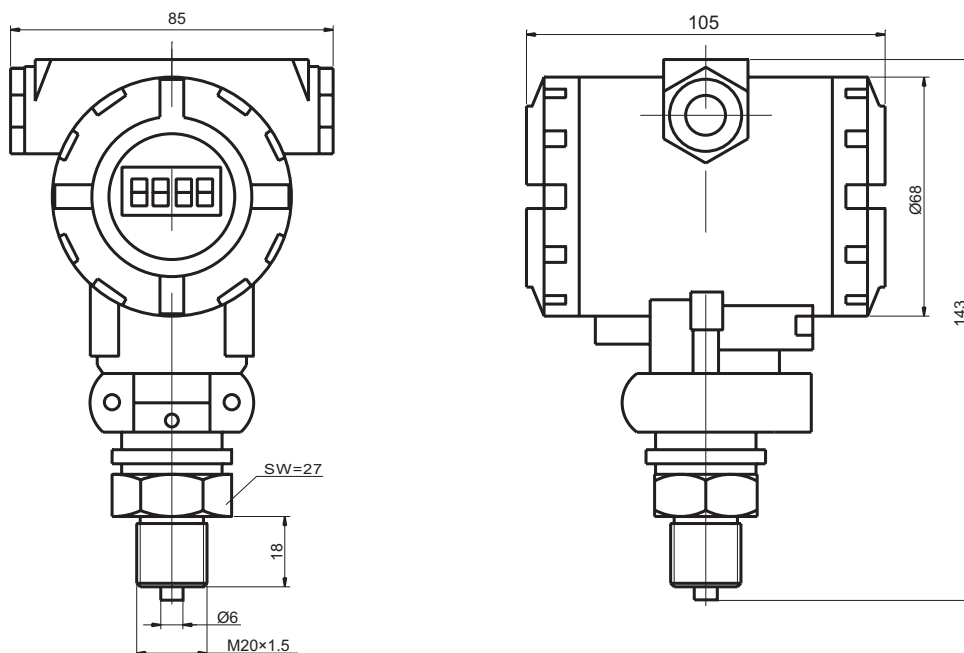
supply voltage	12~36VDC
compensated temperature range	-10~+70°C
operating temperature range	-30~+100°C
temperature coefficient of zero	0.2%FS/10°C
temperature coefficient of span	0.2%FS/10°C
rangeability	15:1
insulation resistance	100MΩ@50VDC
process connection	G1/2 or others
electrical connection	M20×1.5(female thread )
material of wetted part	1Cr18Ni9Ti
material of pressure membrane	316L
material of housing	cast aluminium
sealing	fluoro-rubber sealing ring

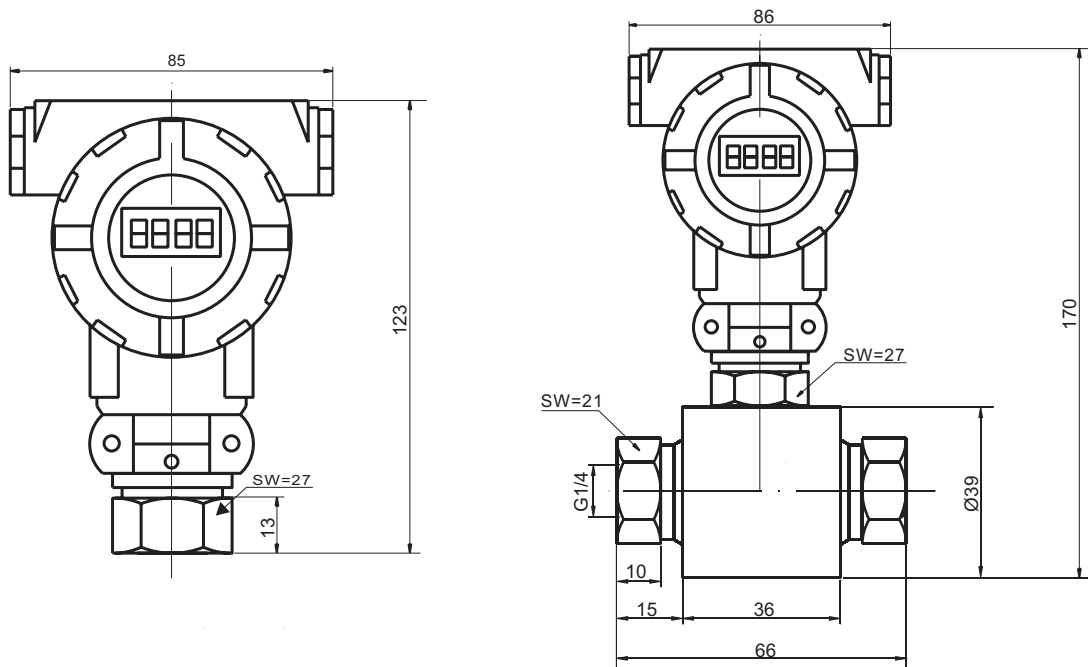
## Electrical connection



Wiring drawing of 2-wire 4~20mA output

## Dimensions





## Ordering code

UPB9						
	range	measuring range: -1...0~0.1...1000bar				
	(X1~X2)bar	X1: lower limit of actual measuring range, X2: higher limit of actual measuring range				
	code	pressure type				
	G	gauge				
	A	absolute				
	S	sealed gauge				
	D	differential (for differential pressure, the range is 0~0.1bar...35bar)				
	code	accuracy				
	B	0.1%FS				
	C	0.25%FS				
	D	0.5%FS				
	code	output				
	O1	4~20mA				
	O3	0~10V				
	O4	customer request				
	code	others				
	P2	G1/2				
	P4	M20×1.5				
	Pf	flange				
	Pz	customer request				
	D0	no display				
	D1	5-digit LCD display				
	D2	4-digit LED display				
UPB9	(-1~10)bar	G	D	O1	P2D2	